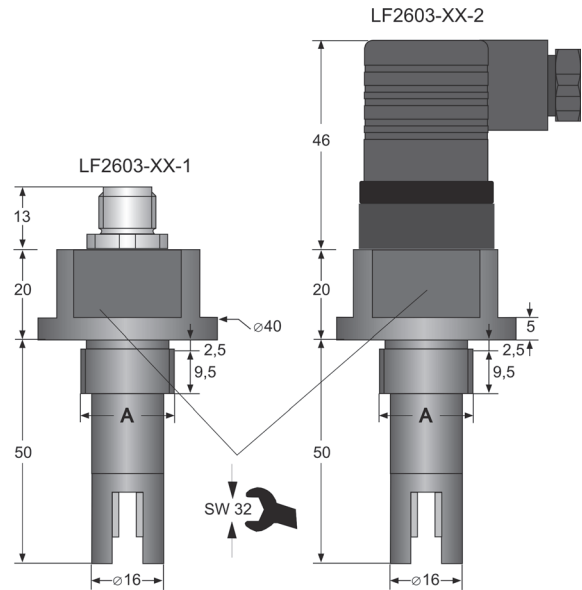


Product Information

# Conductivity Cell LF2603

## Dimensions



## Characteristics

- 2-electrode conductive flow cell for pipe ultra pure water
- Measuring range 0..20  $\mu\text{S}/\text{cm}$  up to 0..100  $\mu\text{S}/\text{cm}$

## Technical data

Cell constant :  $C = 0.5 \pm 3.5\%$   
 Operating temperature :  $0..60^\circ\text{C}$   
 Process pressure : max. 16 bar at  $22^\circ\text{C}$   
 Process material : stainless steel (electrodes),  
 PVC-U acc. to DIN8061/8062  
 Electrical connection : 4 pole angle plug acc. to  
 EN 175301-803/A, IP65 or  
 8 pole round connector plug  
 M12x1, IP67  
 -Material : brass nickel plated  
 Temperature measurement : integrated Pt1000 Sensor DIN IEC751,  
 class A

## Ordering code

LF2603 - C0.5 -  1. -  2. -  3.

1. Process connection (A)	
G 1/2 A	cylindrical thread
R 1/2	conical thread
G 3/4 A	cylindrical thread
R 3/4	conical thread
2. Electrical connection	
1	8 pole round connector
2	4 pole angle entry plug
3. Options	
00	without option
03	8 pole round connector plug SS-type

Connection diagram see page Fehler: Referenz nicht gefunden

Additional accessories see page Fehler: Referenz nicht gefunden